



## PZTA92/93

## PNP SILICON TRANSISTOR

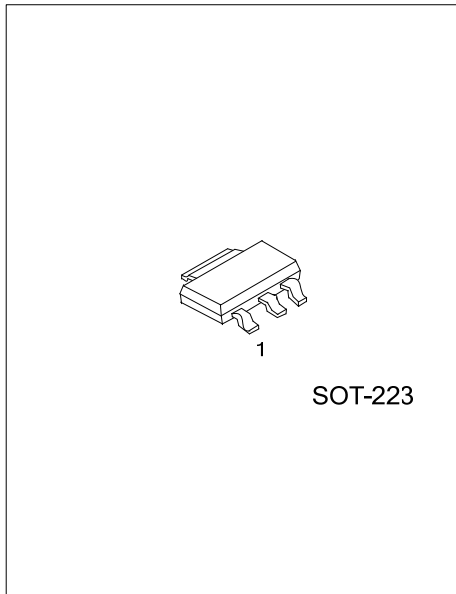
### HIGH VOLTAGE TRANSISTOR

#### DESCRIPTION

The UTC **PZTA92/93** are high voltage PNP transistors, designed for telephone signal switching and for high voltage amplifier.

#### FEATURES

- \* Collector-emitter voltage:  $V_{CE0}=-300V$  (UTC PZTA92)  
 $V_{CE0}=-200V$  (UTC PZTA93)
- \* Complement to UTC PZTA42/43
- \* Collector power dissipation:  $P_{C(MAX)}=1W$



#### ORDERING INFORMATION

Ordering Number		Package	Pin Assignment			Packing
Lead Free	Halogen Free		1	2	3	
PZTA92L-AA3-R	PZTA92G-AA3-R	SOT-223	B	C	E	Tape Reel
PZTA93L-AA3-R	PZTA93G-AA3-R	SOT-223	B	C	E	Tape Reel

<p>PZTA92L-AA3-R</p> <p>(1) Packing Type (2) Package Type (3) Lead Free</p>	<p>(1) R: Tape Reel (2) AA3: SOT-223 (3) G: Halogen Free, L: Lead Free</p>
---	--

■ ABSOLUTE MAXIMUM RATING (T<sub>A</sub>=25°C)

PARAMETER	SYMBOL	RATINGS	UNIT
Collector-Base Voltage	PZTA92	-300	V
	PZTA93	-200	V
Collector-Emitter Voltage	PZTA92	-300	V
	PZTA93	-200	V
Emitter-Base Voltage	V <sub>EBO</sub>	-5	V
Collector Current	I <sub>C</sub>	-500	mA
Collector Power Dissipation	P <sub>C</sub>	1	W
Junction Temperature	T <sub>J</sub>	150	°C
Storage Temperature	T <sub>STG</sub>	-55 ~ +150	°C

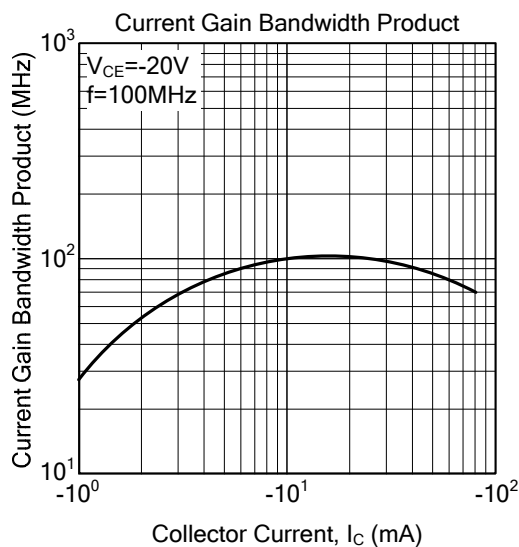
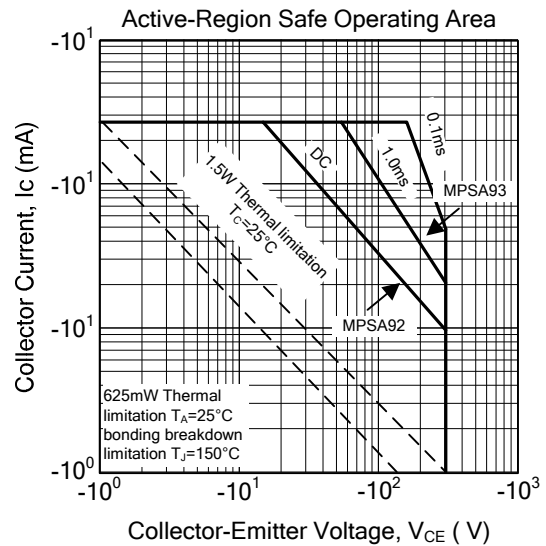
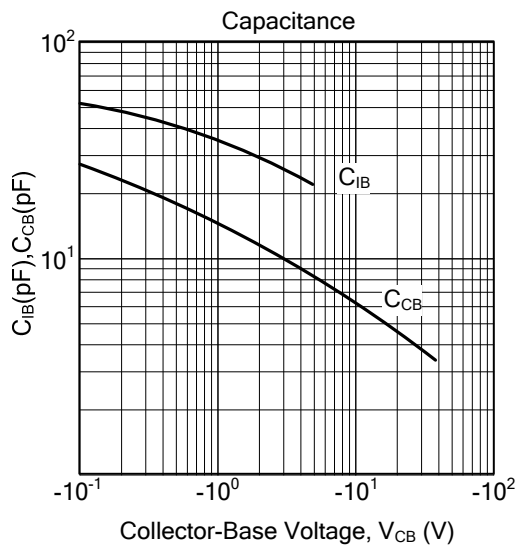
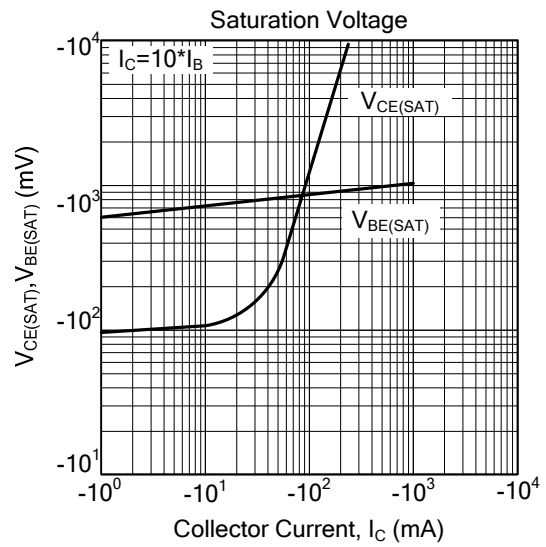
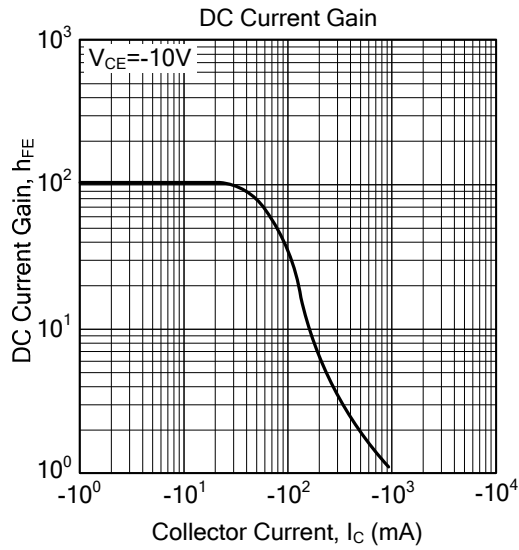
Note: Absolute maximum ratings are those values beyond which the device could be permanently damaged. Absolute maximum ratings are stress ratings only and functional device operation is not implied.

■ ELECTRICAL CHARACTERISTICS (T<sub>A</sub>=25°C, unless otherwise specified)

PARAMETER	SYMBOL	TEST CONDITIONS	MIN	TYP	MAX	UNIT
Collector-Base Breakdown Voltage	BV <sub>CBO</sub>	I <sub>C</sub> =-100μA, I <sub>E</sub> =0	PZTA92	-300		V
			PZTA93	-200		V
Collector-Emitter Breakdown Voltage	BV <sub>CEO</sub>	I <sub>C</sub> =-1mA, I <sub>B</sub> =0	PZTA92	-300		V
			PZTA93	-200		V
Emitter-Base Breakdown Voltage	BV <sub>EBO</sub>	I <sub>E</sub> =-100μA, I <sub>C</sub> =0	-5			V
Collector Cut-Off Current	I <sub>CBO</sub>	V <sub>CB</sub> =-200V, I <sub>E</sub> =0	PZTA92		-0.25	μA
		V <sub>CB</sub> =-160V, I <sub>E</sub> =0	PZTA93		-0.25	μA
Emitter Cut-Off Current	I <sub>EBO</sub>	V <sub>EB</sub> =-3V, I <sub>C</sub> =0			-0.10	μA
DC Current Gain (Note)	h <sub>FE</sub>	V <sub>CE</sub> =-10V, I <sub>C</sub> =-1mA		60		
		V <sub>CE</sub> =-10V, I <sub>C</sub> =-10mA		80		
		V <sub>CE</sub> =-10V, I <sub>C</sub> =-30mA		80		
Collector-Emitter Saturation Voltage	V <sub>CE(SAT)</sub>	I <sub>C</sub> =-20mA, I <sub>B</sub> =-2mA			-0.5	V
Base-Emitter Saturation Voltage	V <sub>BE(SAT)</sub>	I <sub>C</sub> =-20mA, I <sub>B</sub> =-2mA			-0.90	V
Current Gain Bandwidth Product	f <sub>T</sub>	V <sub>CE</sub> =-20V, I <sub>C</sub> =-10mA, f=100MHz	50			MHz
Collector Base Capacitance	C <sub>CB</sub>	V <sub>CB</sub> =-20V, I <sub>E</sub> =0, f=1MHz	PZTA92		6	pF
			PZTA93		8	pF

Note: Pulse test: P<sub>W</sub><300μs, Duty Cycle<2%, V<sub>CE(SAT)</sub> <200mV (Class SIN)

## TYPICAL CHARACTERISTICS



UTC assumes no responsibility for equipment failures that result from using products at values that exceed, even momentarily, rated values (such as maximum ratings, operating condition ranges, or other parameters) listed in products specifications of any and all UTC products described or contained herein. UTC products are not designed for use in life support appliances, devices or systems where malfunction of these products can be reasonably expected to result in personal injury. Reproduction in whole or in part is prohibited without the prior written consent of the copyright owner. The information presented in this document does not form part of any quotation or contract, is believed to be accurate and reliable and may be changed without notice.